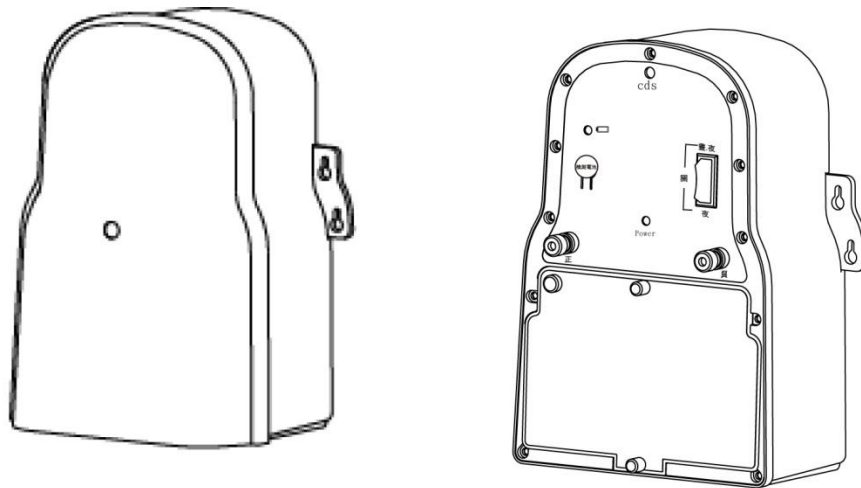


Hi-Powered Animal Electric Fence

Instruction Manual



Index

Introduction

Safety procedures

Diagram

Specification

Installation

Maintenance

Danger and Caution

Introduction

Congratulations on your purchase of the Hi-Powered Animal Electric Fence. We are overly excited that you chose us to assist you in maintaining security from small wild animals.

Welcoming you to the family is our pleasure and we hope that our Hi-Powered Animal Electric Fence will satisfy your needs like the many thousands that are part of our Hi-Powered Animal Electric Fence family.

As part as the family we would like to instruct you on the safest and the most correct way to install the Hi-Powered Animal Electric Fence in-order to maximize effectiveness and minimize the chances of you or your loved ones from getting hurt during and after set up.

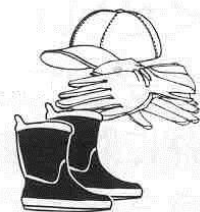
We would like to ask you to follow the instructions step by step to understand the full picture of how to set up the Hi-Powered Animal Electric Fence. If you are unsure of any of the steps please don't hesitate to contact your local distributor for professional assistance

Safety Procedure

Our safety procedures are put in place in order for you to install the Hi-Powered Animal Electric Fence the safest way possible.



Before unboxing the rest of the items of the Hi-Powered Animal Electric Fence please ensure that you have a large flat secure space to work on that is dry and away from children and pets.

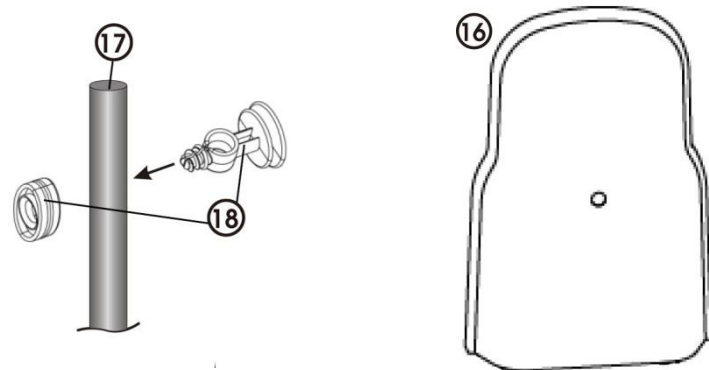
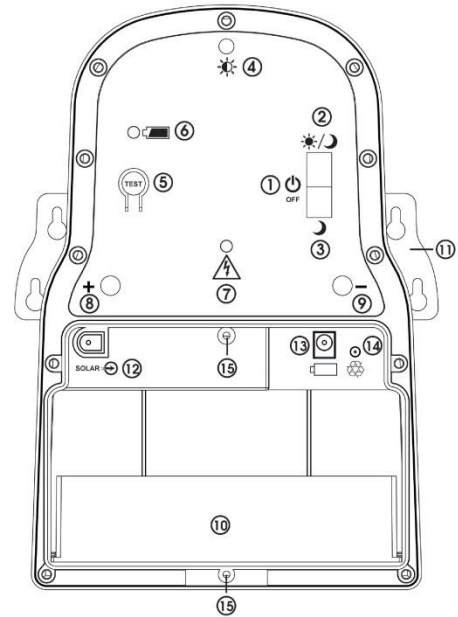
Ensure that you wear long sleeves and pants with closed shoes (Boots will be preferred). Wear eye protection and gloves before setting up. If you going to be working under the sun a cap / hat will keep the heat from getting to you as this procedure contains multiple set up procedures.



Ensure when working with the Hi-Power Animal Electric Fence to switch off the device before handling the device or any of its components.

Diagram

1. ① on/off change mode
2. ② day and night mode
3. ③ night mode
4. ④ Light sensor (for night mode)
5. ⑤ Battery power TEST button
6. ⑥  Battery power light
7. ⑦  Working light
8. ⑧ **+** positive
9. ⑨ **-** negative
10. ⑩ Battery picker
11. ⑪ Main unit install by using stakes or sticks.
12. ⑫ solar power.
13. ⑬ battery socket
14. ⑭ rechargeable battery socket.
15. ⑮ screws for batteries cover.
16. ⑯ rain cover
17. ⑰ pipe x25 bars
18. ⑱ insulation x50 pcs



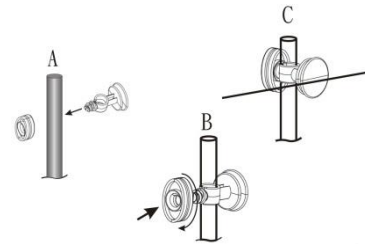
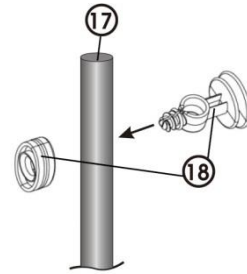
Specification

Item No.	UP-1581
Power Type	D size Battery 8PC or solar panel system 12V
Power supply	DC12V
Output power	5000~6000V
Output cycle	0.9~1.2sec.
Effective distance	200m
LED	Yes
Battery life	50 Days(12 hrs/Day)
Size <Main Unit>	270.5(H)x120(L)x140(W)
Weight <Main Unit>	2.5kgs(Batteries are not included)

Installation

Step 1

1. Find a large open surface to work on.
2. Remove the internal medium and small boxes situated at the ends of the packaging box.
3. Take out and open the blue rods with orange tips from its packaging (There should be 25 blue rods) With the pointy end facing in the same direction. (Blunt end known as the head & sharp end known as the feet).
4. Open and remove the contents in the small box.
5. Open and take out the orange clip on's from the large plastic bag. (There should be 50 sets) Found at the bottom of the small box.
6. Clip on two of the male end's of the orange clip to the blue rods evenly spread throughout the top 3/4 of the rod (Bottom 1/4 will be going into the ground).
7. Then connect the female orange clip the male one and tighten firmly (Remember to have the flat side of the male orange clip all facing the same side on the blue rod).



Step 2

1. Unpack the pink wire with the hook on the one end wire from the packaging (Found in the medium size box)
2. Remove only the insulation at the opposite end of the hook end of the pink wire (a gap has been cut out for your reference).
3. Take the one end of the orange coiled wire and attach it to the wire end of the pink wire that you just pulled the insulation off from. (Ensure the wire are tie together firmly).

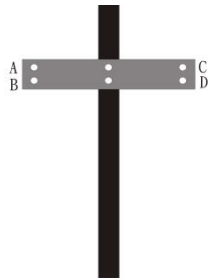
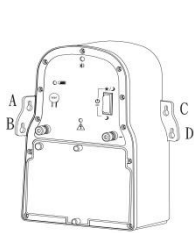
Step 3

1. Mark and install the blue poles on the outlines of the area you want to protect. (Ensure the sharp orange end is going into the ground).
2. Insert the poles deep enough so they stand firmly (We suggest around 20

cm into the ground depending on the ground type).

Step 4

1. Remove the packaging from the machine (Found in medium size box)
2. Remove the packaging of the metal plate and screws.
3. Find the area you want to install the machine.



4.1 If you going to mount the Hi-Powered Animal Electric Fence on the wall make use of the metal.

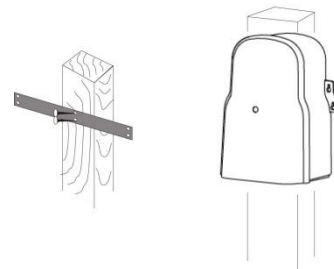
4.2 Secure the metal plate onto a strong flat vertical surface.

4.3 Ensure that the metal plate furthest holes on the furthest end are at the bottom of the plate and the center 2 holds dented ends are facing towards you.

4.4 Secure the metal plate to the wall using the 2 larger screws provided. (Securing the metal plate to the wall by only making use of the two center holes facing you).

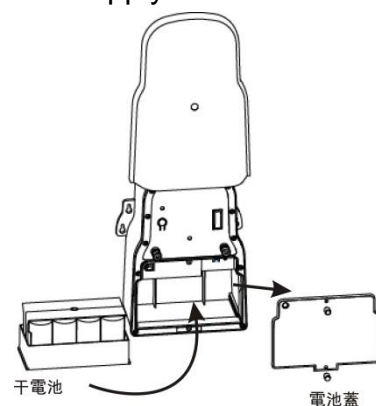
4.5 Then secure the machine onto the metal piece by using the 4 screws provided.

5. If the machine is not going to be mounted, then ensure it is put on a stable flat surface that is out of reach of animal, pets and children.



Step 5

1. Remove the battery holder from the packaging (Found in the small sized box).
2. Separate the battery holder from the packaging (Found in the small sized box).
3. Separate the black battery holder from the green protection cap (pull the black battery holder towards one direction and the green protection cap towards the opposite direction (Note: You need to apply more force to separate the 2 components))
4. Insert 8 size D batteries and put the green protection cap back onto the black battery holder. Ensure they snap together by a click sound. (The adaptor of the black battery

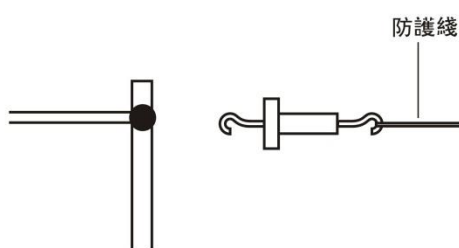
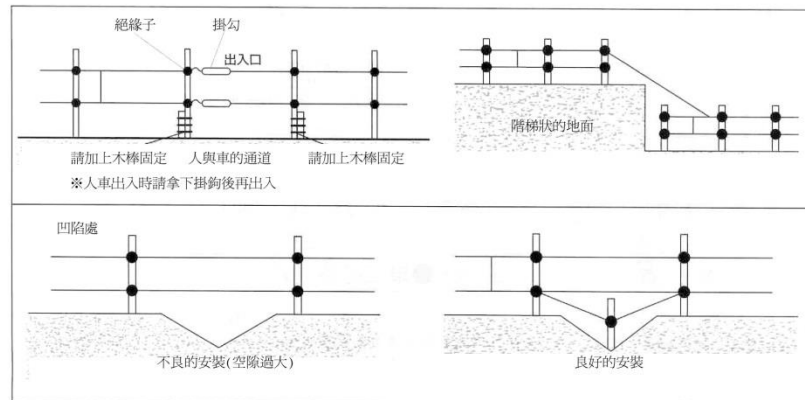


holder should be facing up).

5. Remove the battery cover off the Hi-Powered Animal Electric Fence.
6. Ensure the Hi-Powered Animal Electric Fence is switched off.
7. Connect the black battery holder & adaptor into the connector on the right side of the Hi-Powered Animal Electric Fence (under the negative output of the machine).
8. Insert the black battery holder into the machine (Ensure the flat surface of the green protector is facing the bottom of the machine).
9. Replace the machine battery cover and screw on tightly.

Step 6

1. Connect the orange wire to the orange round make clips on all the blue rods that have been secure in the ground.
2. Ensure that you make 2 full loops/circles around each orange male clips while having the orange wire stiff/tight at each end of the blue rods.
3. Start by connecting all the top orange round male clips first and then turn around at the last blue rod and connect the bottom orange round male clips.
4. When you have completed all the blue rods top & bottom tie off the wire securely to the first rod and cut off the excess wires.



5.1 In order to create a “door way” take out the 2 black plastic insulators with a hook on the end.

5.2 Stand in-between the two blue rods you want your entrance to be.

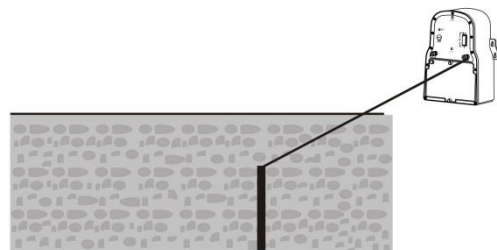
5.3 Choosing one of the 2 rods you

standing in-between and use one of the black plastic insulators to measure the distance between the blue rod and entrance way.

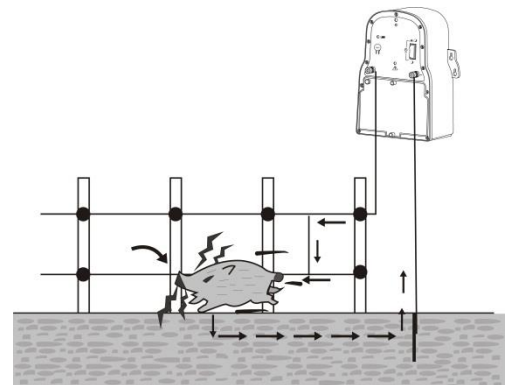
- 5.4 Cut the orange wire half way between the black plastic insulators (which you are using as a measuring tool at the moment).
- 5.5 Tie off the end of the wire you just cut off closest to the orange round male clip, around the male clip tightly.
- 5.6 Tie off the other end of the wire to the round end of the black plastic insulator opposite the hook end of the black plastic insulator (Ensure the wires are still tight)
- 5.7 Hook the hook end of the black plastic insulator onto the orange round male clip you have just tied up.
- 5.8 Now do the same with the bottom wire.
- 5.9 When wires are live only come in contact/touch with the black plastic insulator.

Step 7

1. Ensure the Hi-Powered Animal Electric Fence is turned off.
2. Remove the green wire with metal rod out of the package.
3. Stick the metal end of the rod into the ground completely (No exposing rod should be seen)

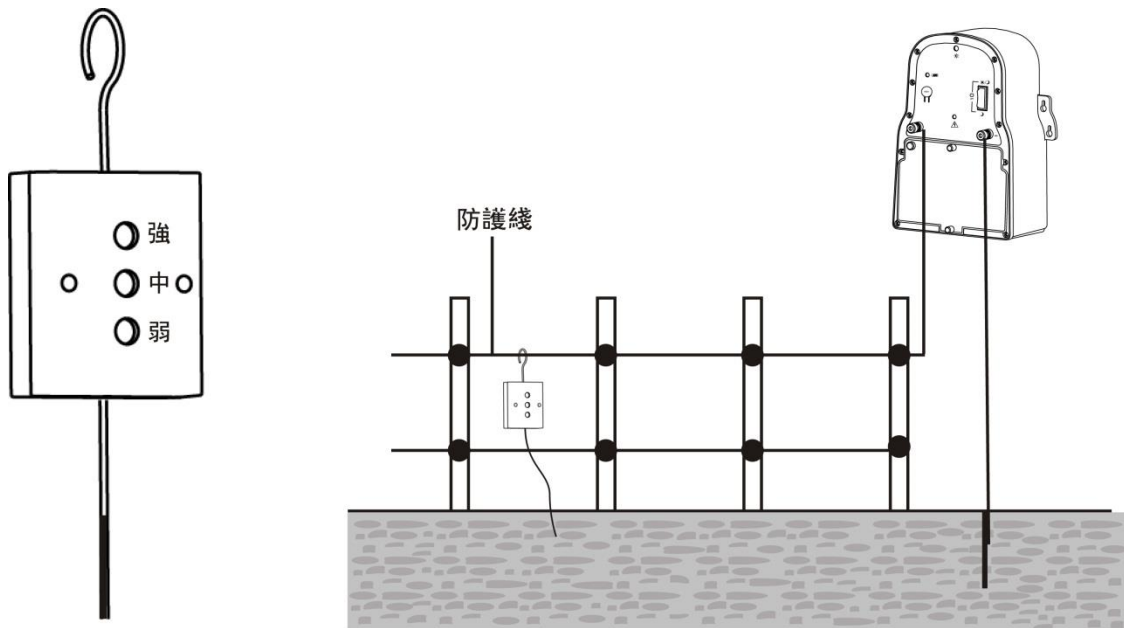


4. Unscrew the black negative connector on the Hi-Powered Animal Electric Fence.
5. Connect the hook end of the green wire to the negative outlet of the Hi-Powered Animal Electric Fence and tighten the black cap back on tightly.
6. Unscrew the red positive connector on the Hi-Powered Animal Electric Fence.
7. Connect the hook end of the pick wire to the positive outlet of the Hi-Powered Animal Electric Fence and tighten the red cap black on tightly.
8. Slide on the clear plastic front protector onto the Hi-Powered Animal Electric Fence.



Step 8

1. Once connected turn on the Hi-Powered Animal Electric Fence by choosing your preferred setting on the machine.
2. To test if there is electrical flow in the wire, remove the small green box with a metal hook and metal rod at each end from the packaging.
3. Stick the rod into the ground and by holding only the plastic end of the small green box attach the hook end to the wire.
4. The LED will indicate the strength of the electric flow within the wire.



Maintenance

In-order to keep the Hi-Powered Animal Electric Fence in good condition, minor maintenance routine needs to be up kept now and then.

Points to check on the Hi-Power Animal Electric Fence:

- Use the test button to test the statues of the battery (replace battery if battery is flat or dead).
- See if the “⑦ working light” is still working.
- Turn off the device and check if the positive and negative wires are still connected properly to the Hi-Powered Animal Electric Fence. After checking turn the Hi-Powered Animal Electric Fence back on.

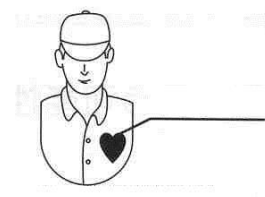
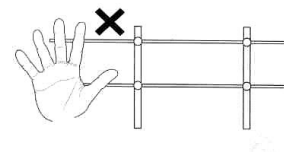
Rest of the outdoor fence:

- Ensure that all the blue rods are still attached to the ground.
- Ensure that the orange electrical wire is still tight and firm.
- Test the ends of the your wires if there is a current flow by following “Step 8”.

Danger & Caution

Please read this danger and & caution carefully, for your own and other’s protection.

- Do not come into contact with the wires when it is live.
- When working with the device please ensure the device is turned off.
- Wear gloves, boots (closed shoes), eye protection and long sleeve and pants.
- Do not let children or pets get close to the device as well as the electrical wires.
- Highly caution people with heart problems should not operate this device in any manner and should keep away from the device at all times.



- Do not operate the Hi-Powered Animal Electric Fence without fully understanding this user manual.